



MONTIGO[®]
the art of fireplaces
www.montigo.com

H-Series ~ H38SV0-ST

Stainless Steel
Ventless
Outdoor
See Thru Fireplace



H-Series~H38-SVO-ST

Stainless Steel, Ventless, Outdoor, See Thru Fireplace



HL38SVO-ST with river rocks shown

Features:

- ❑ Ventless design allows for maximum versatility in an outdoor installation
- ❑ Flush or Clean-Face Design allows for brick or tile installation over the fireplace frame
- ❑ Unique pan burner design and technology
- ❑ Large viewing area for a full view of the spectacular fire
- ❑ Snap-Lock door system for tool free access inside the firebox
- ❑ Hi/Lo control for adjusting flame level
- ❑ Piezo spark ignition
- ❑ Millivolt control allows for continuous operation, even during a power failure
- ❑ 100% fail-safe shut-off valve

Options:

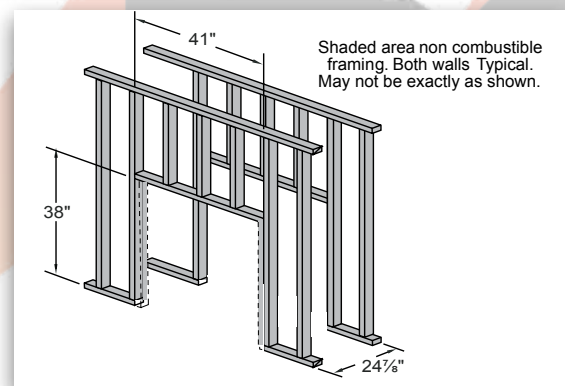
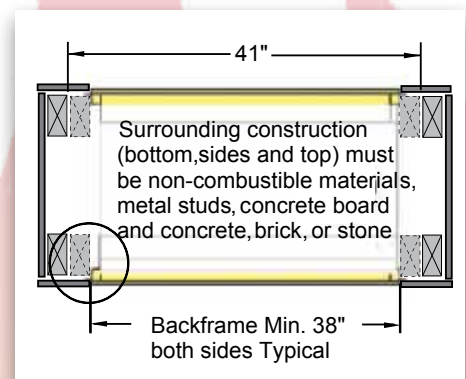
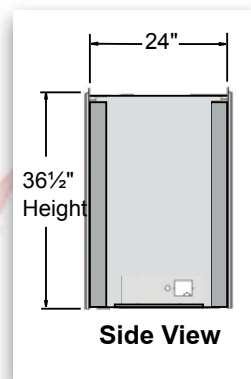
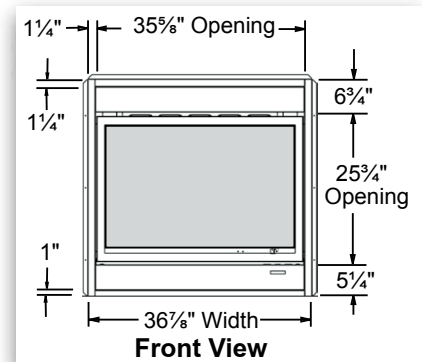
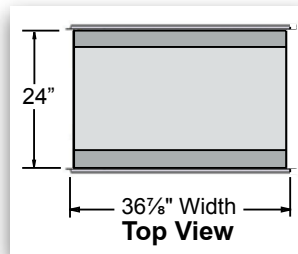
- ❑ Stainless steel cabinet for stand-alone designs
- ❑ Wireless remote control
- ❑ Choose from Contemporary linear burner with Designer glass beads† or Traditional logset

Fireplace BTU/H Input			
Model#	Accessories	Natural Gas	Liquid Propane
H38SVO-ST	Traditional Logs	45,000	45,000
HL38SVO-ST	Glass Beads	45,000	45,000

† Visit our website at www.montigo.com for glass bead colour samples and styles

Consult the owner's manual for complete installation instructions and proper clearances to combustible surfaces prior to installing fireplace.

All specifications, framing dimensions, product designs, materials and colors are subject to change without notice. The actual flame pattern color and accessories may differ from the illustrations. Please verify actual specifications at the time of purchase. Diagrams and illustrations are not to scale.



Warranty: The manufacturer warrants this fireplace to be free from defects in materials and workmanship at the time of manufacture. There is a limited 10 year warranty on the firebox; 5 year limited warranty on the burner and 1 year limited warranty on the pilot burner assembly and fan motors (if included). The valve carries a limited 1 year warranty unless otherwise specified in the installation manual. Glass, plated/painted finishes and refractory lining are exempt.



www.montigo.com

Ferndale, Washington
TF 1.800.789.6236
FX 1.866.300.0927

Langley, British Columbia
TF 1.800.378.3115
FX 1.604.607.6462



Available at:

Printed in Canada

P/N XB2018

010511