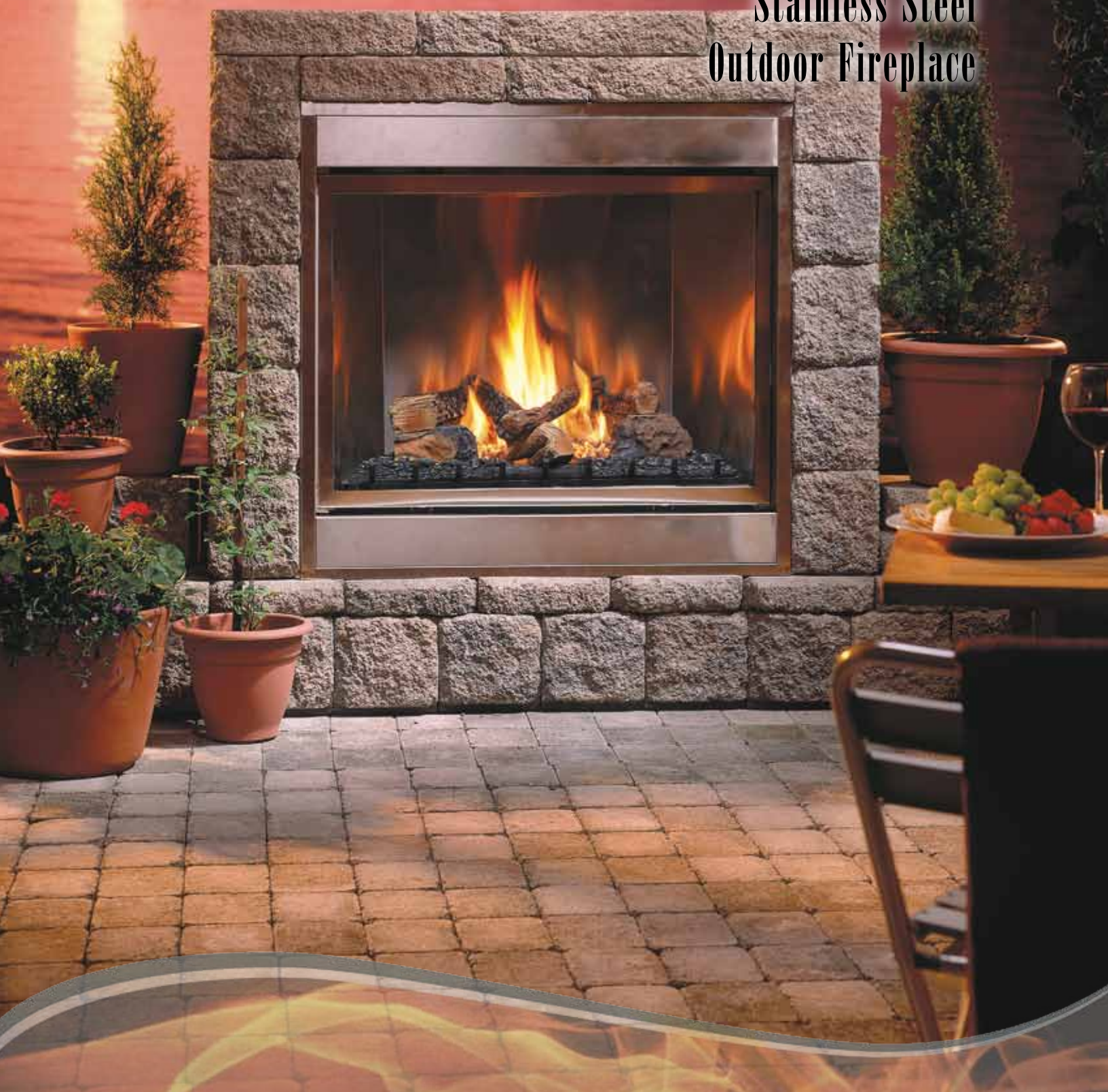




MONTIGO[®]
the art of fireplaces
www.montigo.com

H-Series
Ventless
Stainless Steel
Outdoor Fireplace



H-Series

Ventless, Stainless Steel, Outdoor Fireplace



H42VO with wrought iron gate shown

Features:

- Ventless design allows for maximum versatility in an outdoor installation
- Flush or Clean-Face Design allows for brick or tile installation over the fireplace frame
- Unique pan burner design and technology
- Ceramic fibre logset with glowing embers provide realism, detail and the glow of a real wood fire
- Large viewing area for a full view of the spectacular fire
- Snap-Lock door system for tool free access inside the firebox
- Hi/Lo control for adjusting flame level
- Piezo spark ignition
- Millivolt control allows for continuous operation, even during a power failure
- 100% fail-safe shut-off valve

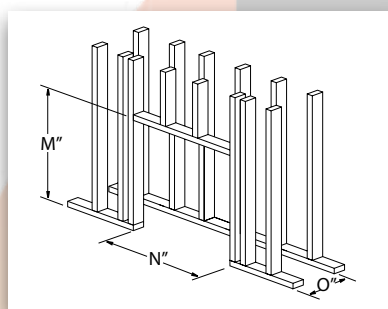
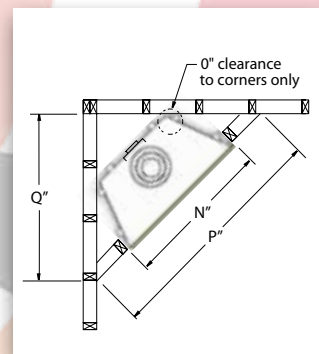
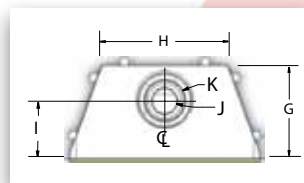
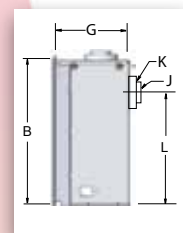
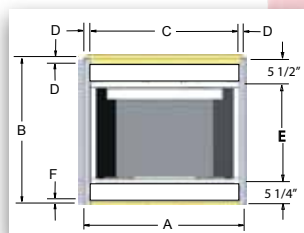
Options:

- Decorative wrought iron grate
- Wireless remote control

Model#	Fireplace BTU/H Input		
	Natural Gas	Liquid Propane	Glass Door Size
H34VO	26,000	26,000	31½" X 21½"
H38VO	34,000	34,000	34¾" X 24½"
H42VO	40,000	40,000	39" x 28½"

	Clearance to Combustibles					
	Top	Header	Sides	Floor	Back	Mantel
H34VO	12	6	6	0	6	12
H38VO	12	6	6	0	6	12
H42VO	12	6	6	0	6	12

	Unit Dimensions								
	A	B	C	D	E	F	G	H	R
H34VO	33¾"	33½"	31¾"	1¼"	22¾"	1"	17¾"	21¾"	4¼"
H38VO	37¾"	36½"	35¼"	1¼"	25"	1"	18½"	25"	4¼"
H42VO	42"	40½"	39½"	1¼"	28¾"	1"	20"	28"	4¼"



	Framing Dimensions				
	M	N	O	P	Q
H34VO	39¼"	33¾"	23½"	73¾"	52"
H38VO	42¼"	37¾"	25½"	79"	55½"
H42VO	46¾"	42"	26½"	85"	60"

Consult the owner's manual for complete installation instructions and proper clearances to combustible surfaces prior to installing fireplace. All specifications, framing dimensions, product designs, materials and colors are subject to change without notice. The actual flame pattern and color may vary slightly from the illustrations. Diagrams and illustrations are not to scale.

Warranty: The manufacturer warrants this fireplace to be free from defects in materials and workmanship at the time of manufacture. There is a limited 10 year warranty on the firebox; 5 year limited warranty on the burner and 1 year limited warranty on the pilot burner assembly and fan motors (if included). The valve carries a limited 1 year warranty unless otherwise specified in the installation manual. Glass, plated/painted finishes and refractory lining are exempt.



www.montigo.com

Ferndale, Washington
TF 1.800.789.6236
FX 1.866.300.0927

Langley, British Columbia
TF 1.800.378.3115
FX 1.604.607.6462



Available at:

Printed in Canada

P/N XB2010

012011